



PRESSURE

WET/WET DIFFERENTIAL PRESSURE TRANSDUCER WITH REMOTE PROBES WPR2 SERIES

DESCRIPTION

The **ACI A/WPR2 Series remote wet to wet differential pressure transmitter** is designed to reduce installation time and provide mounting flexibility, often eliminating the need for additional plumbing. They accurately measure wet media pressures in a variety of applications. Commonly used for monitoring pumps, these devices are also ideal for measuring pressure across filters, heat exchangers and compressors. The **A/WPR2's** enclosure opens conveniently to allow it to be reconfigured between three additional ranges (see order grid) and output of 4 to 20 mA (default), 0 to 5 VDC, or 0 to 10 VDC. The **A/WPR2 Series** can measure both uni or bi-directional pressure ranges as low as 10 psi and as high as 300 psi, depending on the unit. The **A/WPR2** also features a push button auto zero function for remote calibration.

NEW!

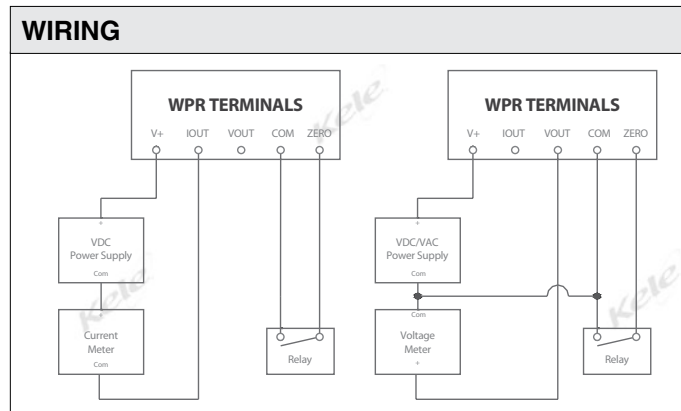


WPR2 LCD-01

FEATURES

- Remote probes save on plumbing time / expense
- Push button auto zero function
- Remote auto zero function
- Selectable ranges
- Selectable output modes
- Selectable PSI or BAR reading (LCD version only)
- Out-of-range diagnostic output

WIRING



SPECIFICATIONS

Supply Voltage	16 to 36 VDC for 2-wire 4-20 mA output 16 to 36 VDC, 24 VAC ($\pm 20\%$) for 0-5 VDC; 0-10 VDC outputs	Display	Dual color LED Red/Green, Green=Normal 1500 psig
Signal Output (Volts, Current)	2 wire Linear 4-20mA DC Current (default), 3 wire; 0-5 VDC; 0-10 VDC Field Selectable	Overpressure (Burst) Max Operating Pressure (Proof)	3X F.S. (A/WPR2-100 Series), 2X F.S. (A/WPR2-300 Series)
Min Voltage Output Impedance	5K Ω	Operating Temperature	Sensors: -30° to 120°F (-22° to 248°C), Electronics/Housing/Cables: 32° to 167°F (0° to 75°C)
Max Current Output Impedance	2500 Ω	Operating Humidity	10 to 90% Non-condensing
Accuracy	$\pm 1.0\%$ FSO (includes linearity, hysteresis and repeatability), $\pm 1.5\%$ for 0-10 & 0-30 psi range	Wetted Parts	304 stainless steel
Sensor Type	Ceramic capacitive	Media Compatibility	Gasses, refrigerants, ammonia and water-based fluids
Adjustments (Z/S)	Auto Zero button	Process Connection	1/4" -18 NPT Male (304 stainless steel)
Normal Measurement Range (Field selectable within range)	10/25/50 & 100 psi (uni and bi-directional) for 100 psi sensors 30, 75, 150 & 300 psi (uni and bi-directional) for 300 psi sensor	Wiring Terminations	Screw connection terminal block
		Mounting	
		Enclosure Rating	NEMA 4X/IP66
		Dimensions	3.93"W x 3.0"H 5.10"L
		Weight	
		Approvals	
		Warranty	5 years limited

PRESSURE

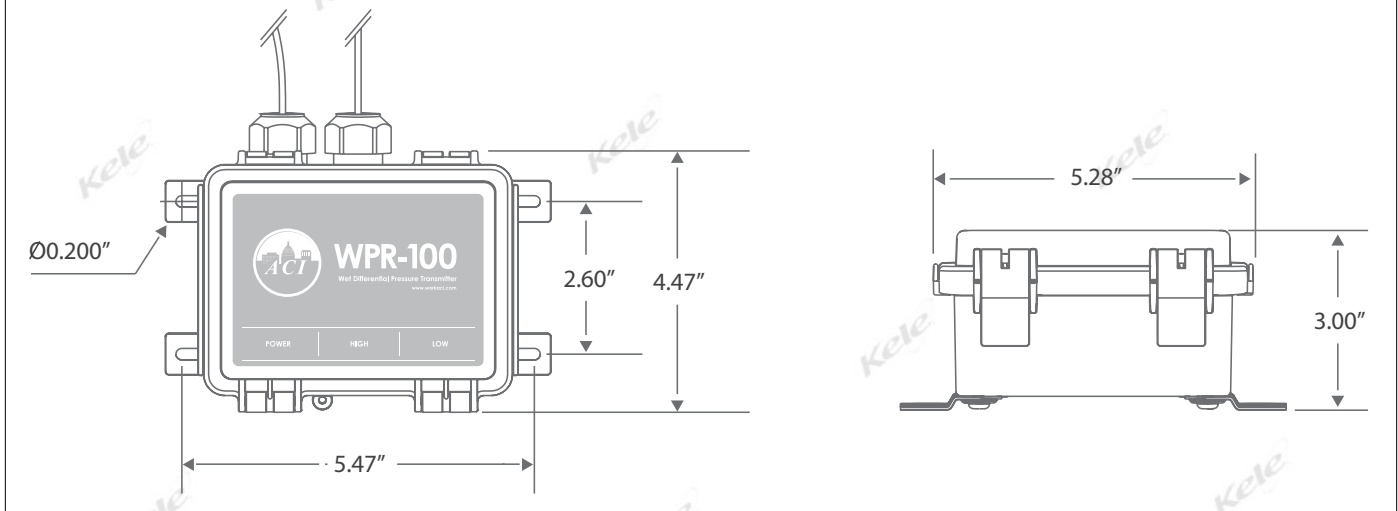
17

NEW!



WET/WET DIFFERENTIAL PRESSURE TRANSDUCER WITH REMOTE PROBES WPR2 SERIES

DIMENSIONS



ORDERING INFORMATION

MODEL	DESCRIPTION
WPR2-100-10'- LCD	Wet to wet differential pressure w/remote probe, 10' cables, w/LCD
WPR2-300-10'- LCD	Wet to wet differential pressure w/remote probe, 10' cables, w/LCD
WPR2-100-20'- LCD	Wet to wet differential pressure w/remote probe, 20' cables, w/LCD
WPR2-300-10'- LCD	Wet to wet differential pressure w/remote probe, 20' cables, w/LCD
WPR2-100-10'	Wet to wet differential pressure w/remote probe, 10' cables
WPR2-300-10'	Wet to wet differential pressure w/remote probe, 10' cables
WPR2-100-20'	Wet to wet differential pressure w/remote probe, 20' cables
WPR2-300-20'	Wet to wet differential pressure w/remote probe, 20' cables